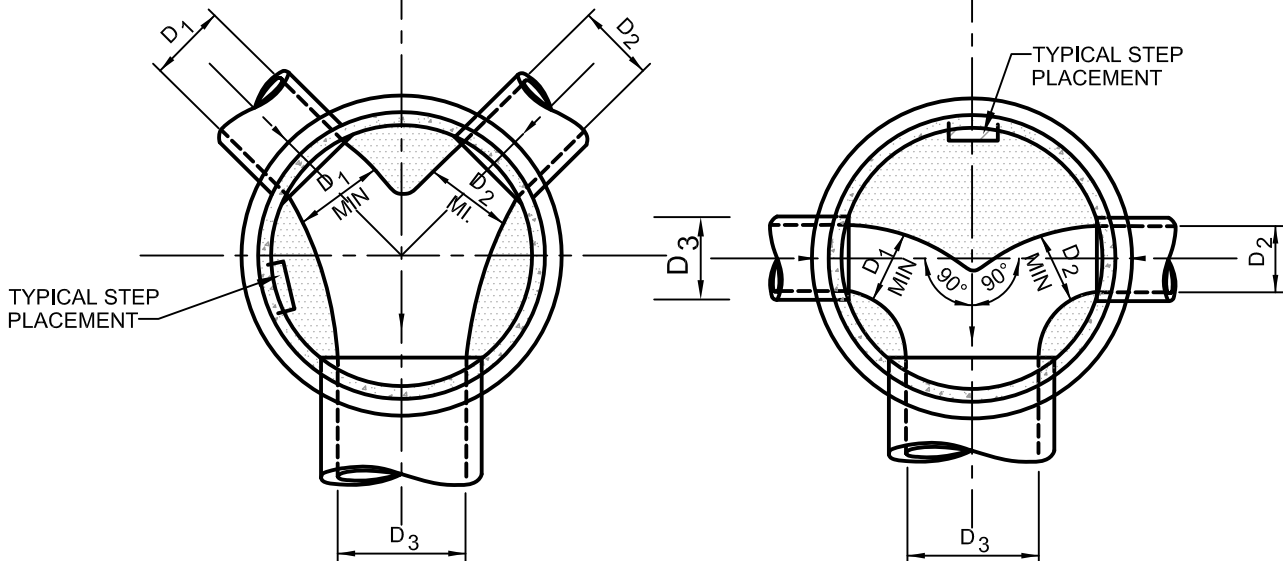


**THROUGH PIPE  
TWO LATERALS**

**SLIGHT ANGLE**

$\theta \leq 15^\circ$   
 $\alpha \leq 30^\circ$



**ANGLED LATERALS**

**OPPOSED LATERALS**

NOTES:

1. PIPE INVERT ELEVATIONS AND DROP THROUGH MANHOLES SHALL BE IN CONFORMANCE WITH THE REVIEWED AND SIGNED CONSTRUCTION PLANS. THE INTENTION IS TO PROMOTE SMOOTH, NON-TURBULENT FLOW THROUGH THE MANHOLES BY KEEPING THE LARGER LINES LOWER IN THE MANHOLE AND BRINGING THE SMALLER LINES IN SLIGHTLY HIGHER.
2. MAXIMUM INSIDE DROP THROUGH ANY MANHOLE SHALL BE 12 INCHES.
3. MINIMUM DROP THROUGH ANY MANHOLE SHALL BE 0.2 FT.
4. ALL INVERT DEFLECTORS SHALL BE CURVED IN SHAPE TO PROVIDE SMOOTH FLOW TRANSITIONS AS SHOWN ON THIS DETAIL.
5. MINIMUM ANGLE BETWEEN THE CENTERLINE OF ANY INCOMING PIPE AND THE CENTERLINE OF THE OUTGOING PIPE SHALL BE 90 DEGREES.

<b>REVISED</b>		 <b>Southgate</b> WATER & SANITATION DISTRICTS	SCALE
BY	DATE		<b>NOT TO SCALE</b>
		<b>MANHOLE BASE AND DEFLECTOR</b>	ISSUE DATE
			<b>FEBRUARY 2016</b>
			SHEET <b>1 OF 1</b> DRAWING NO. <b>SS-05</b>