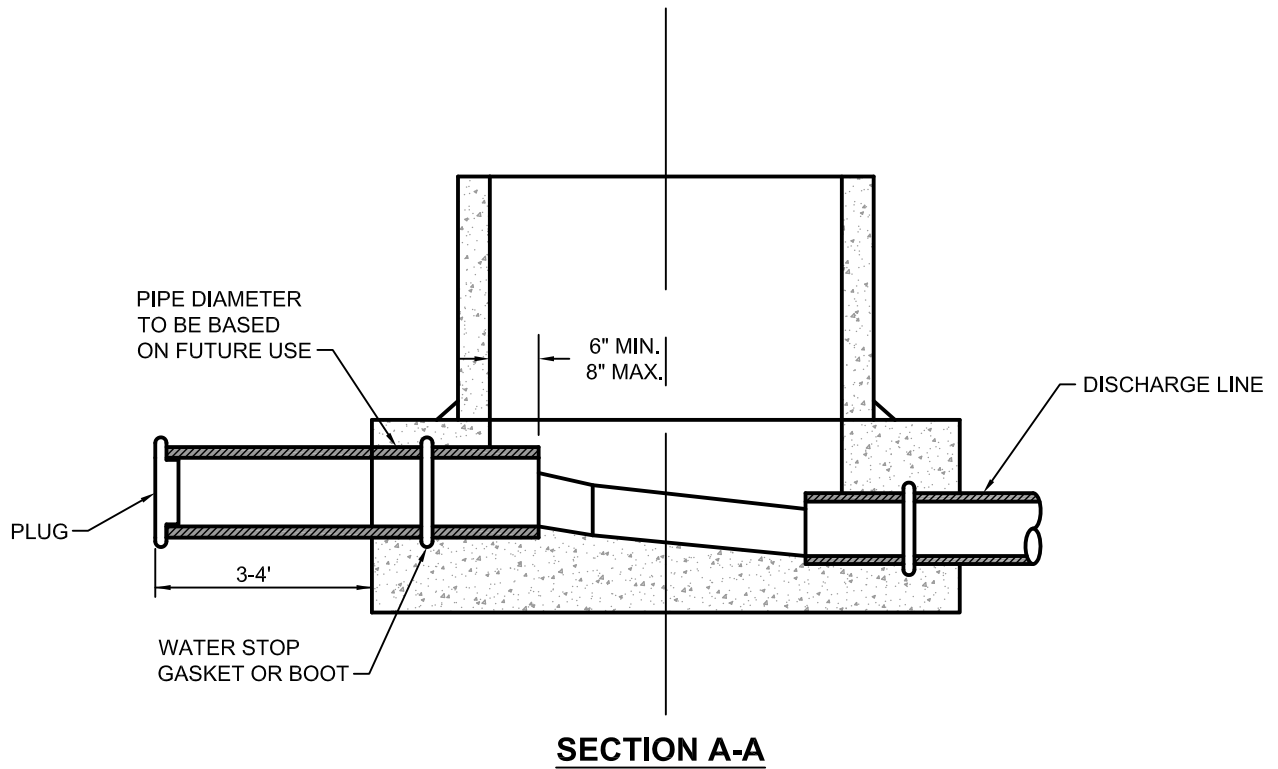


NOTE:
 PIPE STUB-OUT TO BE REMOVED AND REFITTED AS NEEDED TO ACCOMMODATE FUTURE CONNECTION. BREAKOUT OF OPENING WILL NOT BE PERMITTED UNLESS OTHERWISE APPROVED BY THE DISTRICT.



SECTION A-A

COPYRIGHT © 2016 SOUTHGATE WATER & SANITATION DISTRICTS

REVISED		 Southgate WATER & SANITATION DISTRICTS	SCALE
BY	DATE		NOT TO SCALE
		MANHOLE STUB-OUT (FUTURE CONNECTION)	ISSUE DATE
			FEBRUARY 2016
			SHEET 1 OF 1 DRAWING NO. SS-10