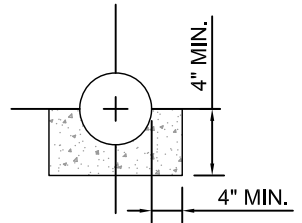
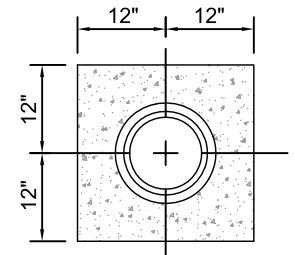
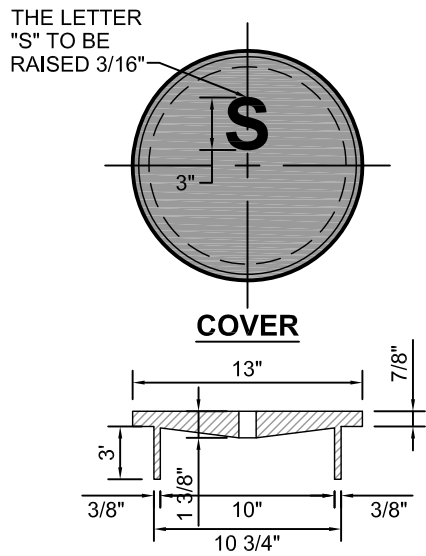
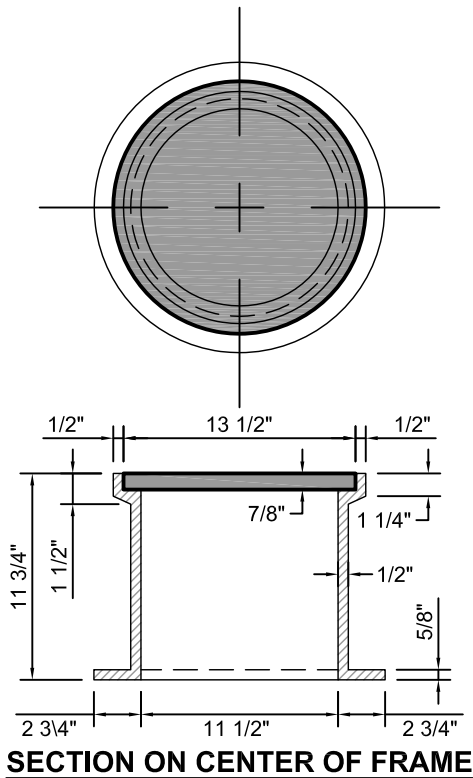
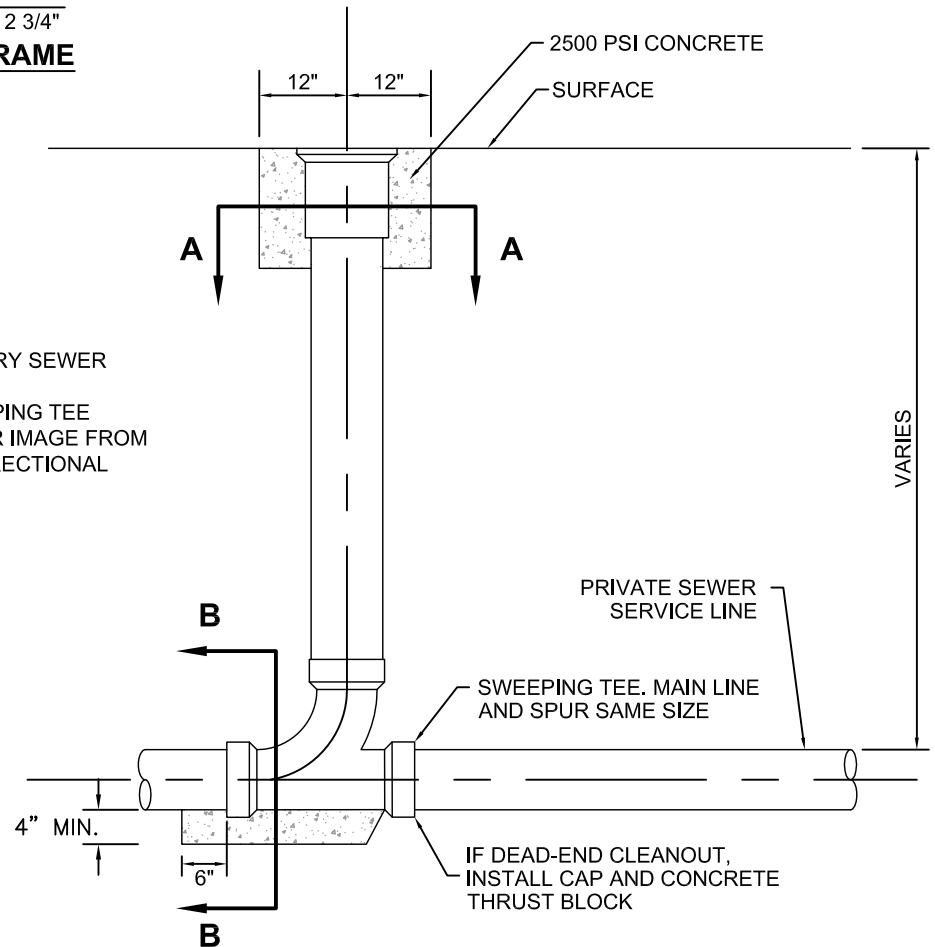


COPYRIGHT © 2016 SOUTHGATE WATER & SANITATION DISTRICTS



**NOTES:**

1. FOR USE IN PRIVATE SANITARY SEWER SERVICES ONLY.
2. PROVIDE ADDITIONAL SWEEPING TEE WITH VERTICAL RISER (MIRROR IMAGE FROM DETAIL SHOWN) FOR ALL BI-DIRECTIONAL CLEANOUTS.



|         |      |
|---------|------|
| REVISED |      |
| BY      | DATE |
|         |      |
|         |      |
|         |      |



**SANITARY SEWER  
SERVICE CLEANOUT**

|            |               |
|------------|---------------|
| SCALE      | NOT TO SCALE  |
| ISSUE DATE | FEBRUARY 2016 |
| SHEET      | DRAWING NO.   |
| 1 OF 1     | SS-24         |