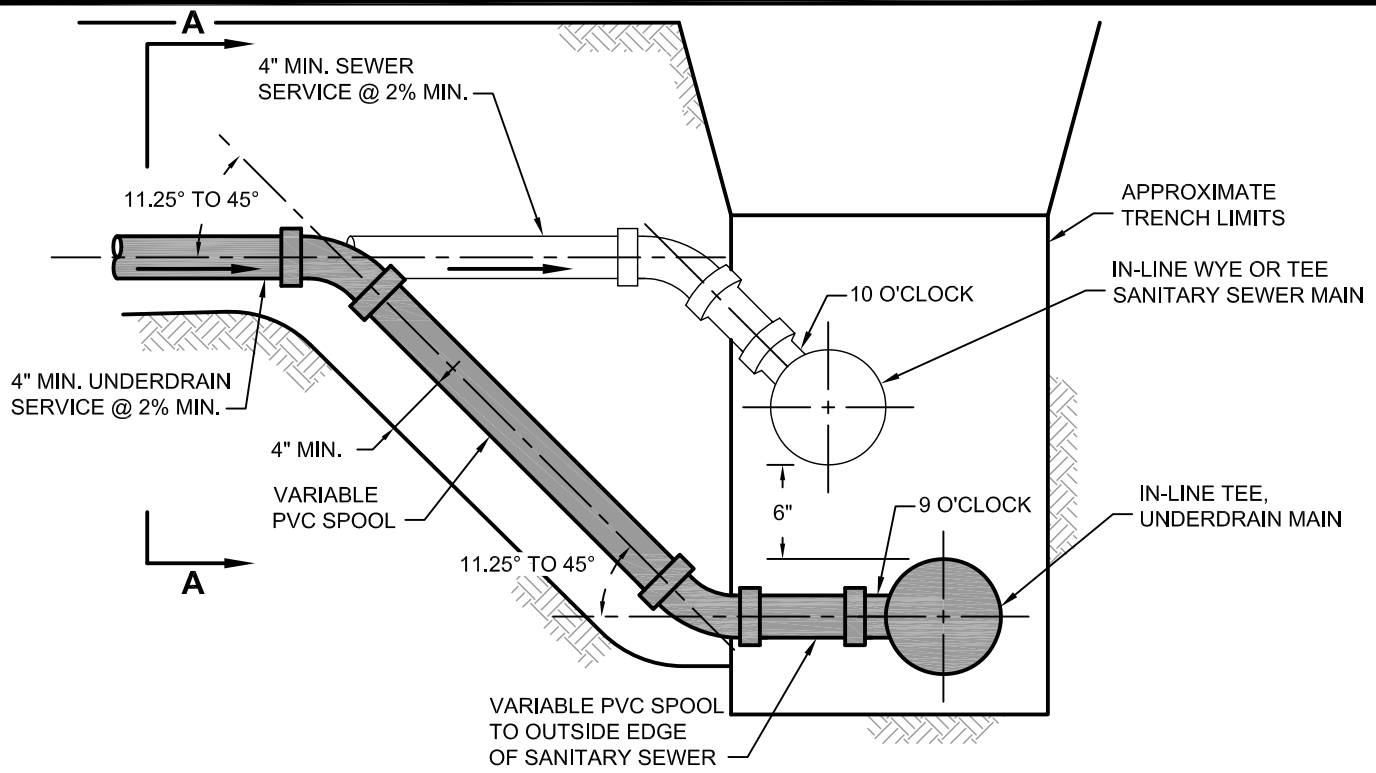


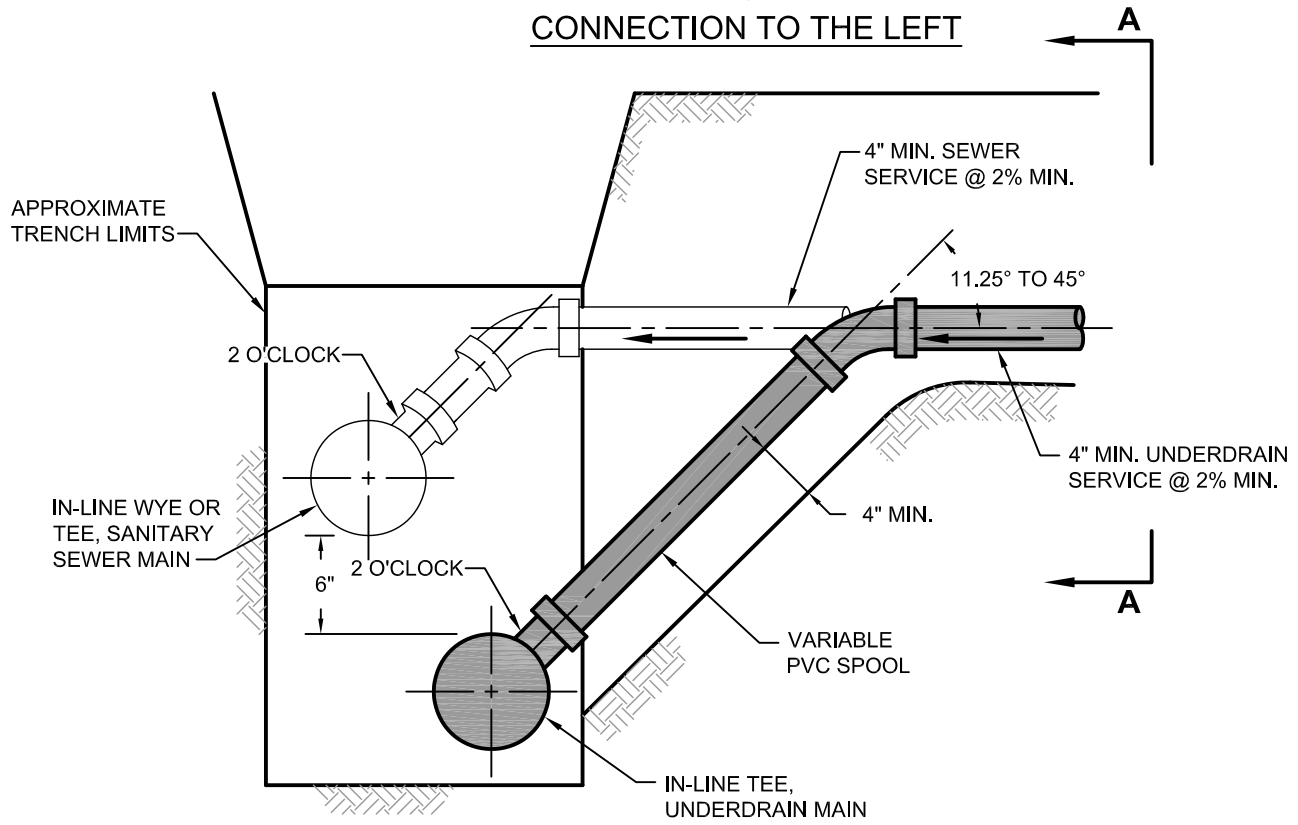
**NOTES**

1. USE THIS DETAIL IN CONJUNCTION WITH THE "TRENCH WITH UNDERDRAIN" DETAIL AND THE "DOMESTIC SEWER TAPPING" DETAIL.
2. ALL SECTIONS SHOWN ARE SHOWN LOOKING DOWNSTREAM.
3. UNDERDRAIN SERVICE LINE PIPE MATERIAL TO BE EQUAL TO MAIN UNDERDRAIN PIPE MATERIAL.
4. BLDG. UNDERDRAINS ARE TO BE LOCATED ON LEFT SIDE OF SERVICE LINE TRENCH, WITH SANITARY SEWER SERVICE ON THE RIGHT WHEN FACING THE BUILDING.

<b>REVISED</b>		 <p><b>Southgate</b> WATER &amp; SANITATION DISTRICTS</p>	SCALE
BY	DATE		<b>NOT TO SCALE</b>
		<p><b>SANITARY SEWER SERVICE PLAN</b> <b>CONNECTIONS WITH PRIVATELY OWNED UNDERDRAIN</b></p>	ISSUE DATE
			<b>FEBRUARY 2016</b>
			SHEET <b>1 OF 2</b> DRAWING NO. <b>SS-30</b>



**SECTION B-B**  
**CONNECTION TO THE LEFT**



**SECTION C-C**  
**CONNECTION TO RIGHT**

COPYRIGHT © 2016 SOUTHGATE WATER & SANITATION DISTRICTS

<b>REVISED</b>	
BY	DATE



**SANITARY SEWER SERVICE PLAN  
CONNECTIONS WITH PRIVATELY  
OWNED UNDERDRAIN**

SCALE	<b>NOT TO SCALE</b>
ISSUE DATE	<b>FEBRUARY 2016</b>
SHEET	DRAWING NO.
<b>2 OF 2</b>	<b>SS-30</b>