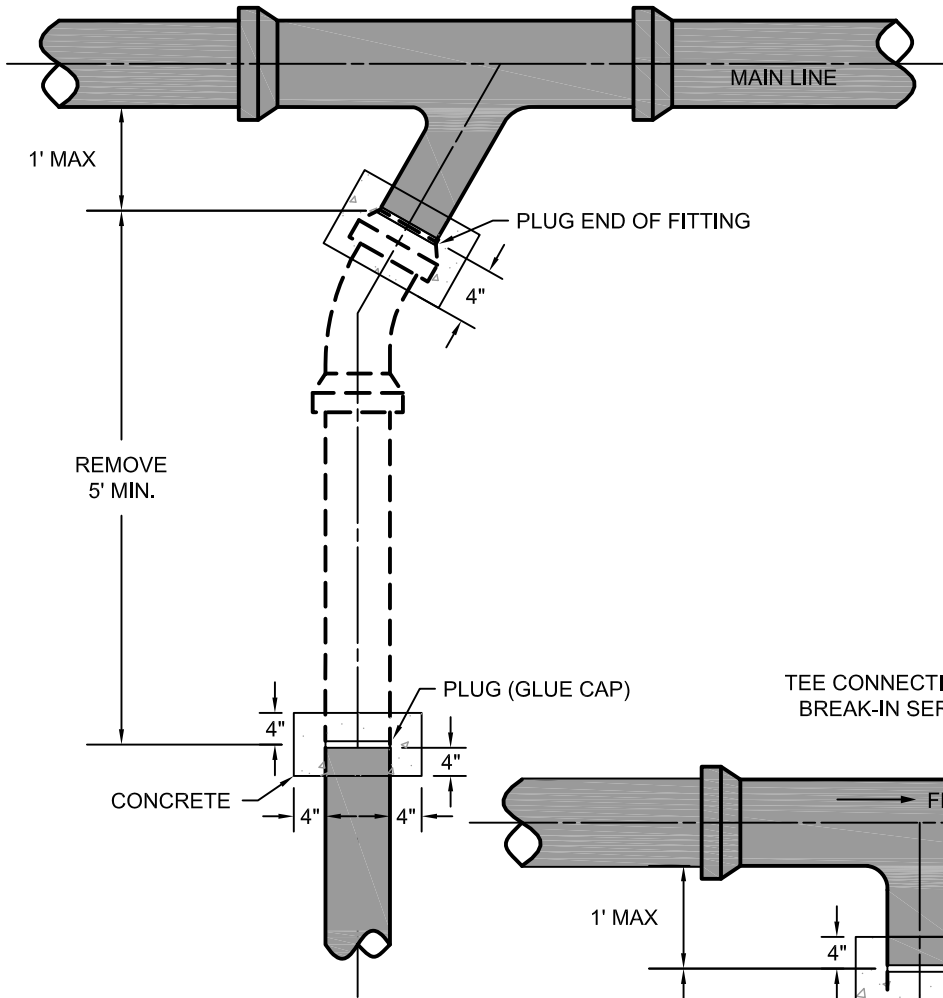
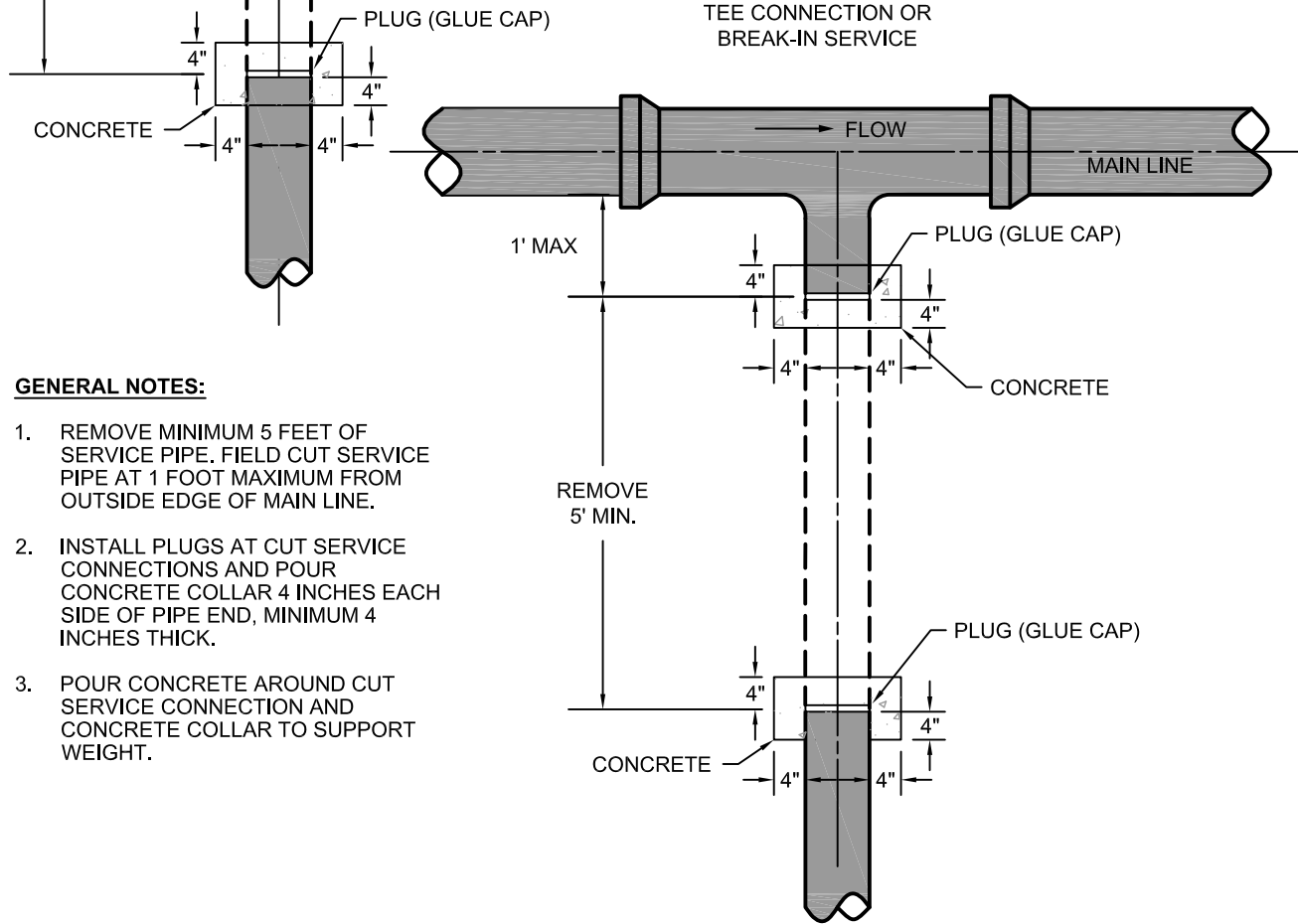


WYE CONNECTION



TEE CONNECTION OR  
BREAK-IN SERVICE



**GENERAL NOTES:**

1. REMOVE MINIMUM 5 FEET OF SERVICE PIPE. FIELD CUT SERVICE PIPE AT 1 FOOT MAXIMUM FROM OUTSIDE EDGE OF MAIN LINE.
2. INSTALL PLUGS AT CUT SERVICE CONNECTIONS AND POUR CONCRETE COLLAR 4 INCHES EACH SIDE OF PIPE END, MINIMUM 4 INCHES THICK.
3. POUR CONCRETE AROUND CUT SERVICE CONNECTION AND CONCRETE COLLAR TO SUPPORT WEIGHT.

COPYRIGHT © 2016 SOUTHGATE WATER & SANITATION DISTRICTS

<b>REVISED</b>		 <b>Southgate</b> WATER & SANITATION DISTRICTS	SCALE
BY	DATE		<b>NOT TO SCALE</b>
			ISSUE DATE
			<b>FEBRUARY 2016</b>
			SHEET
			DRAWING NO.
			<b>1 OF 1</b>
			<b>SS-26</b>
		<b>SERVICE LINE ABANDONMENT DETAIL</b>	