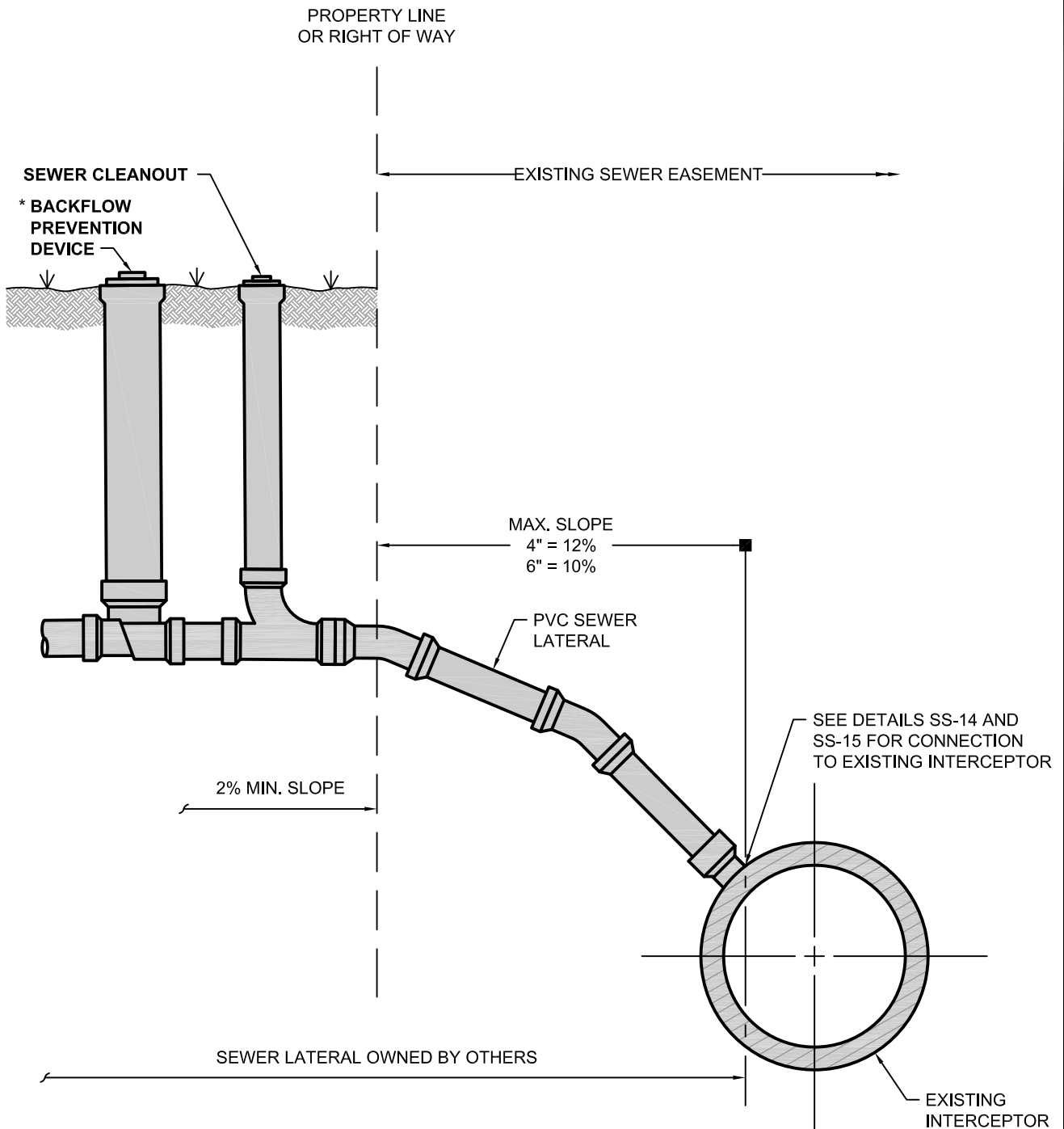


COPYRIGHT © 2016 SOUTHGATE WATER & SANITATION DISTRICTS



NOTES:

1. SANITARY SEWER SERVICE TAPS SHALL BE LOCATED ON THE MAIN AT THE 2 O'CLOCK OR 10 O'CLOCK POSITION.
2. THE MINIMUM DISTANCE BETWEEN ANY TWO CONSECUTIVE FITTINGS SHALL BE 3 FEET, MEASURED BETWEEN FITTING CENTERLINES.
3. SANITARY SEWER SERVICE TAPS SHALL NOT BE MADE WITHIN 3 FEET OF A PIPE JOINT, OR 5 FEET FROM EDGE OF MANHOLE BASE.

REVISED		 Southgate <small>WATER & SANITATION DISTRICTS</small>	SCALE
BY	DATE		NOT TO SCALE
		SEWER SERVICE CONNECTION TO EXISTING INTERCEPTOR	ISSUE DATE
			FEBRUARY 2016
			SHEET 1 OF 1 DRAWING NO. SS-16