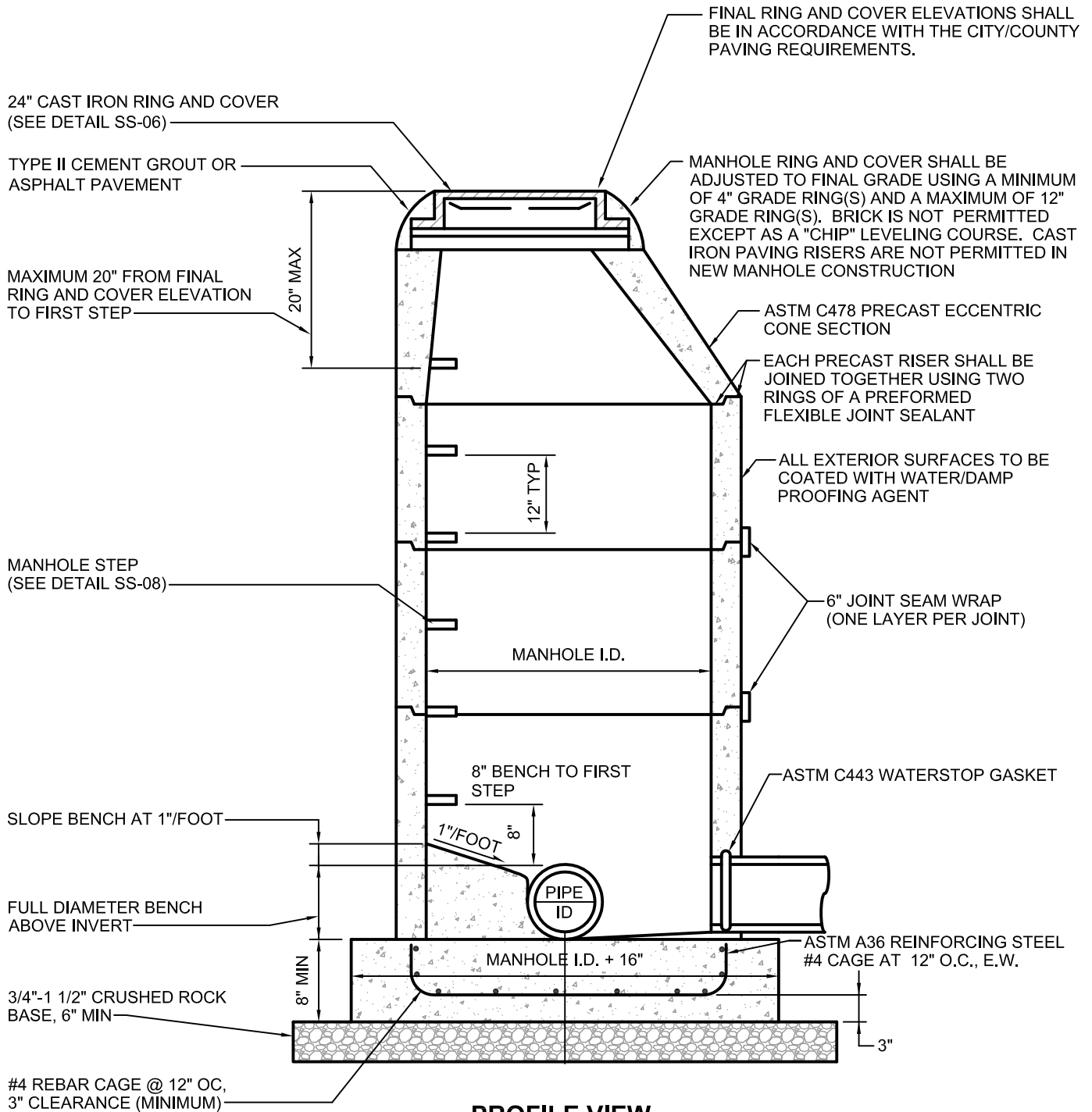
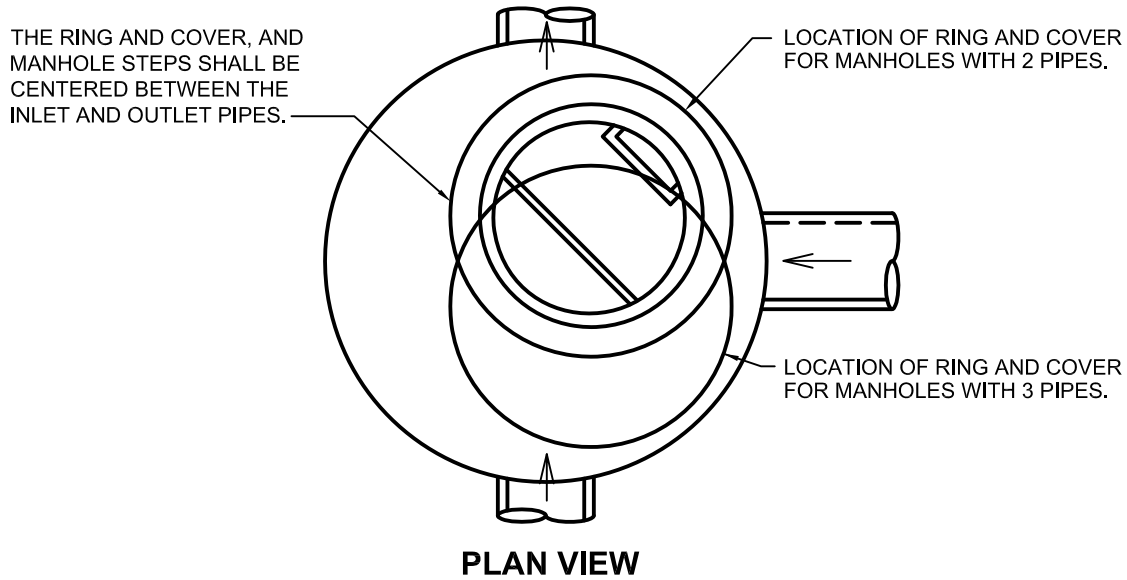


COPYRIGHT © 2016 SOUTHGATE WATER & SANITATION DISTRICTS



PROFILE VIEW

REVISED		 <p>Southgate WATER & SANITATION DISTRICTS</p>	SCALE
BY	DATE		NOT TO SCALE
		<p>STANDARD MANHOLE</p>	ISSUE DATE
			FEBRUARY 2016
			SHEET 1 OF 2 DRAWING NO. SS-03



NOTES:

1. GENERAL - THIS DETAIL IS FOR STANDARD MANHOLES WHERE INCOMING/OUTGOING LINES HAVE A MINIMUM COVER OF SIX (6) FEET OVER THE TOP OF PIPE. MANHOLE INSTALLATIONS PROPOSED TO HAVE LESS THAN SIX (6) FEET OF COVER OVER INCOMING/OUTGOING PIPES REQUIRE PRIOR DISTRICT APPROVAL AND SHALL BE CONSTRUCTED IN CONFORMANCE WITH THE MINIMUM DEPTH MANHOLE DETAIL.

REVISED		 <p>Southgate WATER & SANITATION DISTRICTS</p>	SCALE
BY	DATE		NOT TO SCALE
		<p>STANDARD MANHOLE</p>	ISSUE DATE
			FEBRUARY 2016
			SHEET 2 OF 2 DRAWING NO. SS-03