

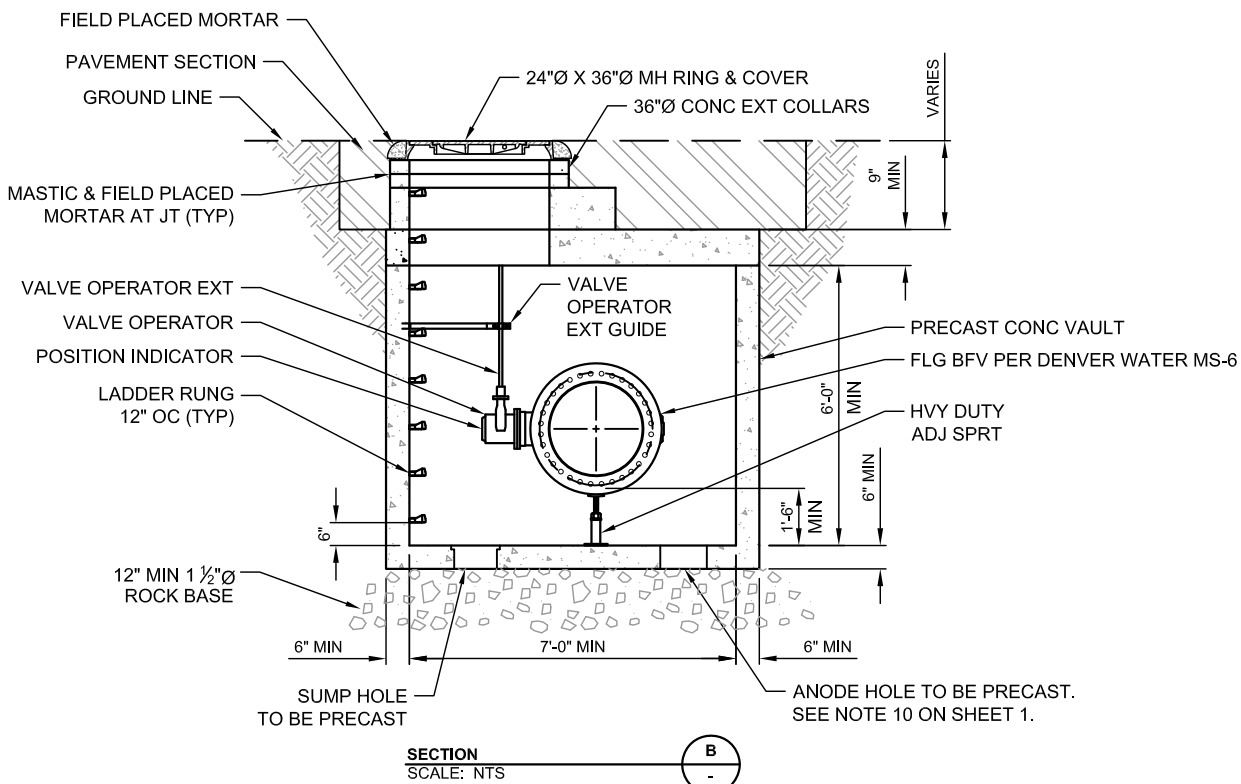
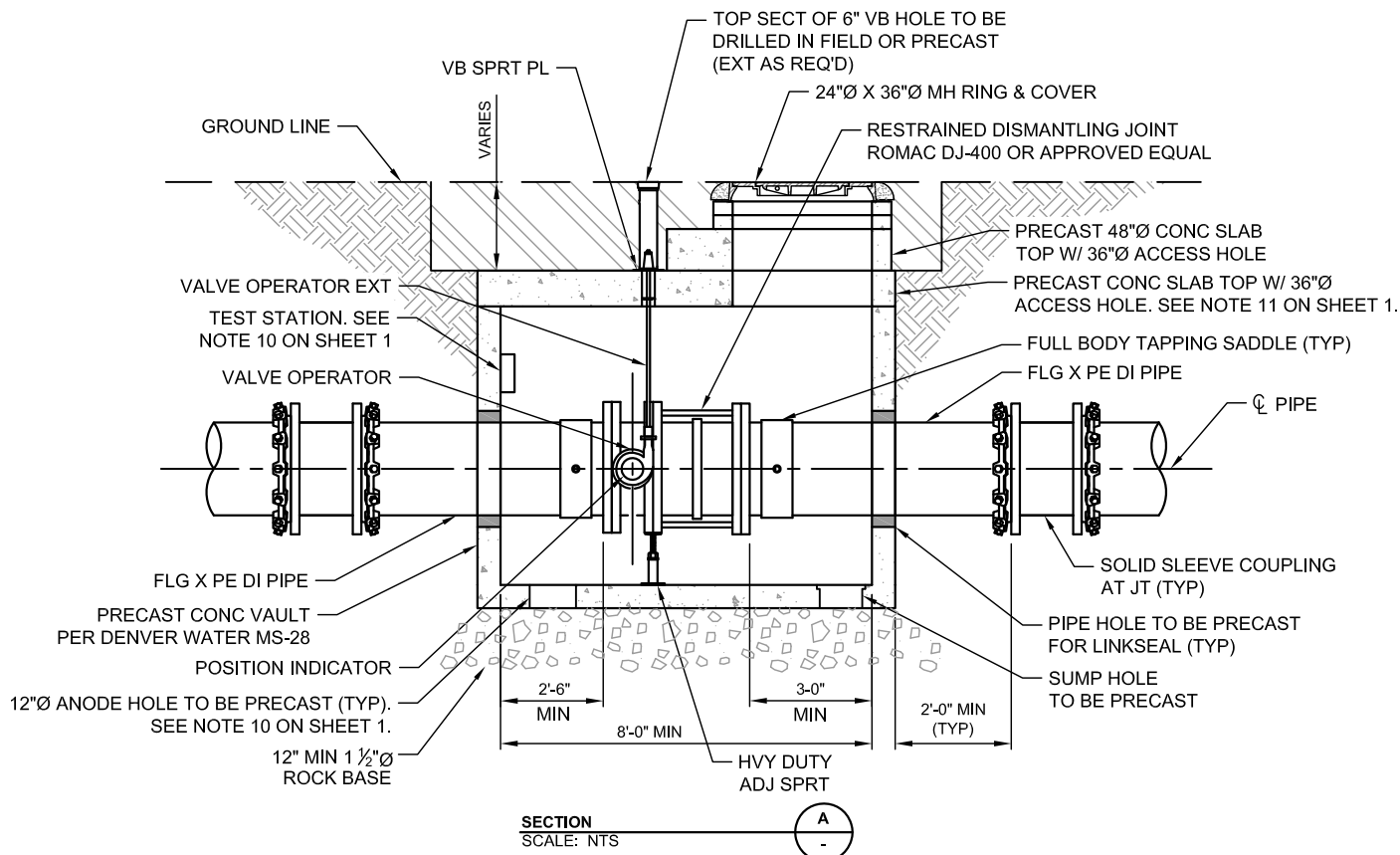
PLAN

NOTES:

1. STRUCTURE SHALL BE RATED FOR H20 LOADING. PRECAST VAULT STRUCTURAL CALCULATIONS TO BE PROVIDED BY SUPPLIER.
2. MANHOLE COVER TO BE STAMPED "WATER".
3. CONCRETE EXTENSION COLLARS, MANHOLE RINGS, AND 6" VALVE BOXES TO BE FIELD MORTARED. MORTAR = 1 PART PORTLAND CEMENT TO 3 PARTS SAND CONFORMING TO ASTM C 35.
4. ALL FLANGES ALONG THE MAIN SHALL MATCH. ALL FLANGES SHALL BE IN ACCORDANCE WITH AWWA C207.
5. ALL FASTENERS (BOLTS, NUTS, ETC) SHALL BE STAINLESS STEEL SERIES 304 OR 316.
6. ALL FLANGED VAULT PIPING SHALL HAVE MINIMUM 10-MIL EPOXY COATING PER DISTRICT SPECIFICATIONS SECTION 4.2.
7. TAPPING SADDLE SHALL BE ROMAC FTS420T WITH FUSION EPOXY COATING AND STAINLESS STEEL NUTS AND BOLTS OR APPROVED EQUAL.
8. VAULT INTERIOR TO BE COATED WITH EXTERIOR CONCRETE PAINT, MINIMUM 2 COATS.
9. VAULT EXTERIOR TO BE COATED WITH RUBBERIZED EXTERIOR COATING, MINIMUM 2 COATS.
10. INSTALLATION OF ANODES, CORE HOLES, AND TEST STATION IS NOT REQUIRED UNLESS SPECIFIED BY THE DISTRICT. CATHODIC PROTECTION REQUIREMENTS TO BE DETERMINED BASED ON SOIL AND EXISTING PIPE CONDITIONS. FLANGE JOINTS SHALL BE INSULATED PER DENVER WATER SHEET 24 AND/OR BONDED PER DENVER WATER ENGINEERING STANDARDS SECTION 6.28 WHEN APPLICABLE.
11. FOR WATERLINE DIAMETERS GREATER THAN 24", ACCESS HOLE SHALL BE SIZED TO ALLOW FUTURE REMOVAL AND REPLACEMENT OF BUTTERFLY VALVE.

REVISED		 Southgate WATER & SANITATION DISTRICTS	SCALE
BY	DATE		NOT TO SCALE
		FLANGED BUTTERFLY VALVE VAULT INSTALLATION FOR 16" & LARGER PIPE	ISSUE DATE
			FEBRUARY 2016
			SHEET
			1 OF 2
			DRAWING NO.
			W-11

COPYRIGHT © 2016 SOUTHGATE WATER & SANITATION DISTRICTS



REVISED		 Southgate WATER & SANITATION DISTRICTS	SCALE
BY	DATE		NOT TO SCALE
			ISSUE DATE
			FEBRUARY 2016
		SHEET	DRAWING NO.
		2 OF 2	W-11
FLANGED BUTTERFLY VALVE VAULT INSTALLATION FOR 16" & LARGER PIPE			