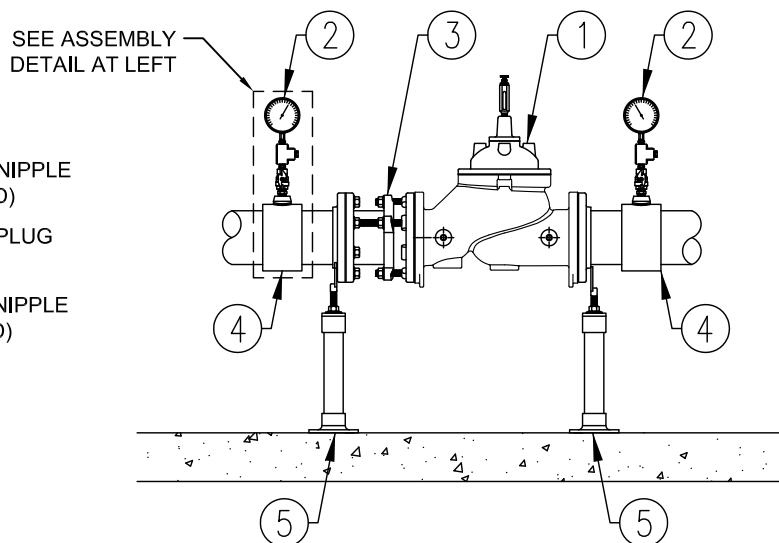
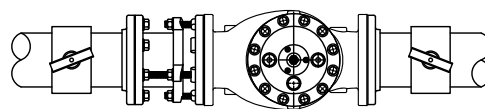


PRESSURE GAUGE ASSEMBLY



PRV ASSEMBLY SECTION VIEW



PRV ASSEMBLY PLAN VIEW

NOTES:

1. ALL PIPE SECTIONS AND FLANGED FITTINGS TO BE DUCTILE IRON IN CONFORMANCE WITH ANSI/AWWA C110/A21.10 AND ANSI B16.1 CLASS 125 STANDARDS.
2. ALL BALL VALVES SHALL BE APOLLO 82-100.
3. STAINLESS STEEL ASTM F-593 HEX BOLTS AND ASTM F-594 HEX NUTS c/w SAE STAINLESS STEEL WASHERS USED THROUGHOUT
4. FULL FACE 1/8" THK. TORUSEAL FLANGE GASKETS USED THROUGHOUT ASSEMBLY.
5. SEE SOUTHGATE WATER DISTRICT SPECIFICATIONS SECTION 6.07 FOR ALL OTHER REQUIREMENTS.

MATERIAL LIST

ITEM	DESCRIPTION	SIZE	FLANGE RATING	QTY
1	SINGER MODEL S106-PR FULL PORT ROLLING DIAPHRAGM PRESSURE REDUCING CONTROL VALVE, CLASS 150# FLANGED BODY c/w SST X107 POSITION INDICATOR, OXY NITRIDE STEM, SST PILOT STRAINER WITH SST BLOWDOWN, SST ISOLATION BALL VALVES, SST BRAIDED HOSE AND FITTINGS, SST PILOT WITH 20-200psi SPRING RANGE, PRESSURE SET POINT AS REQUIRED. OPPOSITE SIDE PILOT ORIENTATION.	AS REQ'D	ANSI 150	1
2	PRESSURE GAUGE ASSEMBLY WITH DUAL SCALE, GLYCERINE FILLED, #4" FACE. TEE WITH THREADED PLUG AND BALL VALVE ISOLATION (THREADED BRONZE NIPPLES AS REQUIRED).			2
3	ROMAC DJ400 RESTRAINED DISMANTLING JOINT c/w FUSION EPOXY COATING AND SST HARDWARE.	AS REQ'D		1
4	SIZE X 0.5" STAINLESS STEEL SADDLE (SMITH-BLAIR #372 OR APPROVED EQUAL)			2
5	ADJUSTABLE STAINLESS STEEL SUPPORT STANDS.			2

<b>REVISED</b>		 <b>Southgate</b> WATER & SANITATION DISTRICTS	SCALE	
BY	DATE		<b>NOT TO SCALE</b>	
			ISSUE DATE	
			<b>FEBRUARY 2016</b>	
<b>PRV VAULT PIPING AND APPURTENANCES</b>		SHEET	DRAWING NO.	
		<b>1 OF 1</b>		<b>W-09</b>