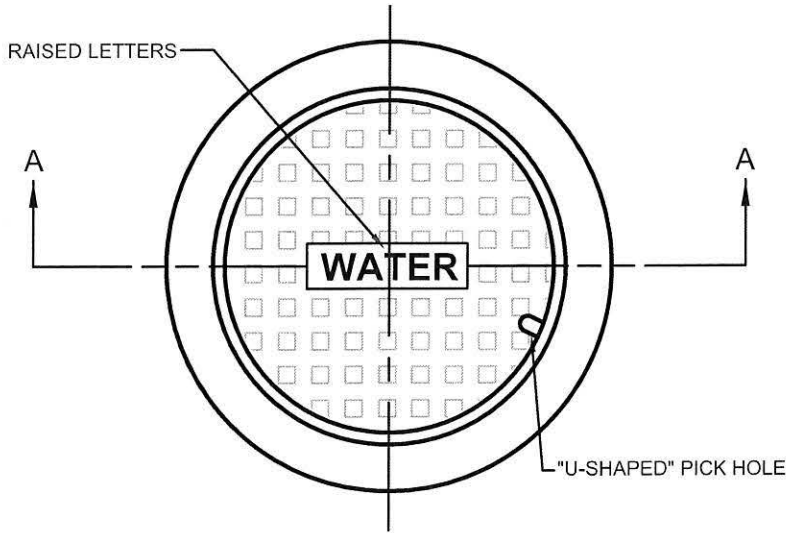
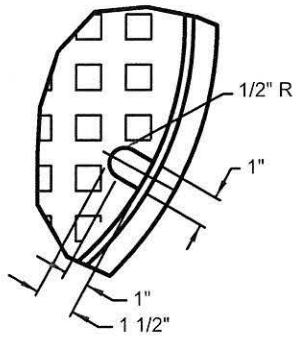


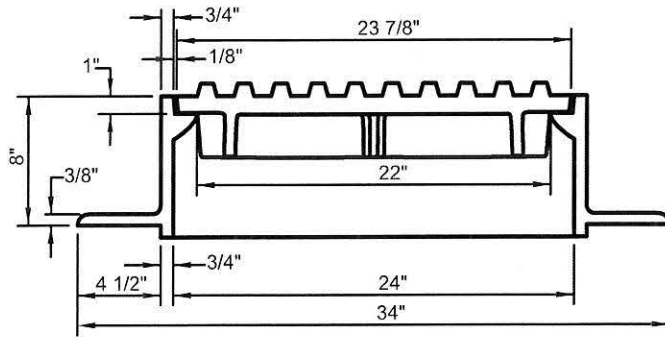
COPYRIGHT © 2016 SOUTHGATE WATER & SANITATION DISTRICTS



**PLAN**



**PICK HOLE**



**SECTION A-A**

**NOTE:**

1. CASTING SPECIFICATIONS: ASTM A-48 WITH A MINIMUM TENSILE STRENGTH OF 35 KSI (CLASS 35B)
2. ALUMINUM COVERS WITH CAM LOCKS ARE REQUIRED IN ALL EASEMENTS AND DRAINAGE WAYS. ALUMINUM CASTING SHALL CONFORM TO ASTM B-26 WITH A MINIMUM TENSILE STRENGTH OF 23 KSI.
3. CASTINGS SHALL BE AS SPECIFIED BELOW OR EQUAL:
 

MANUFACTURERS	CAT. #
NEENAH	R-1706
CASTINGS, INC.	MH-400-24 C.I.

<b>REVISED</b>		 <b>Southgate</b> WATER & SANITATION DISTRICTS	SCALE
BY:	DATE		NOT TO SCALE
			ISSUE DATE
			MAY 2016
			SHEET
STANDARD 24" RING AND COVER		DRAWING NO.	
		<b>1 OF 1</b>	
		<b>W-12</b>	