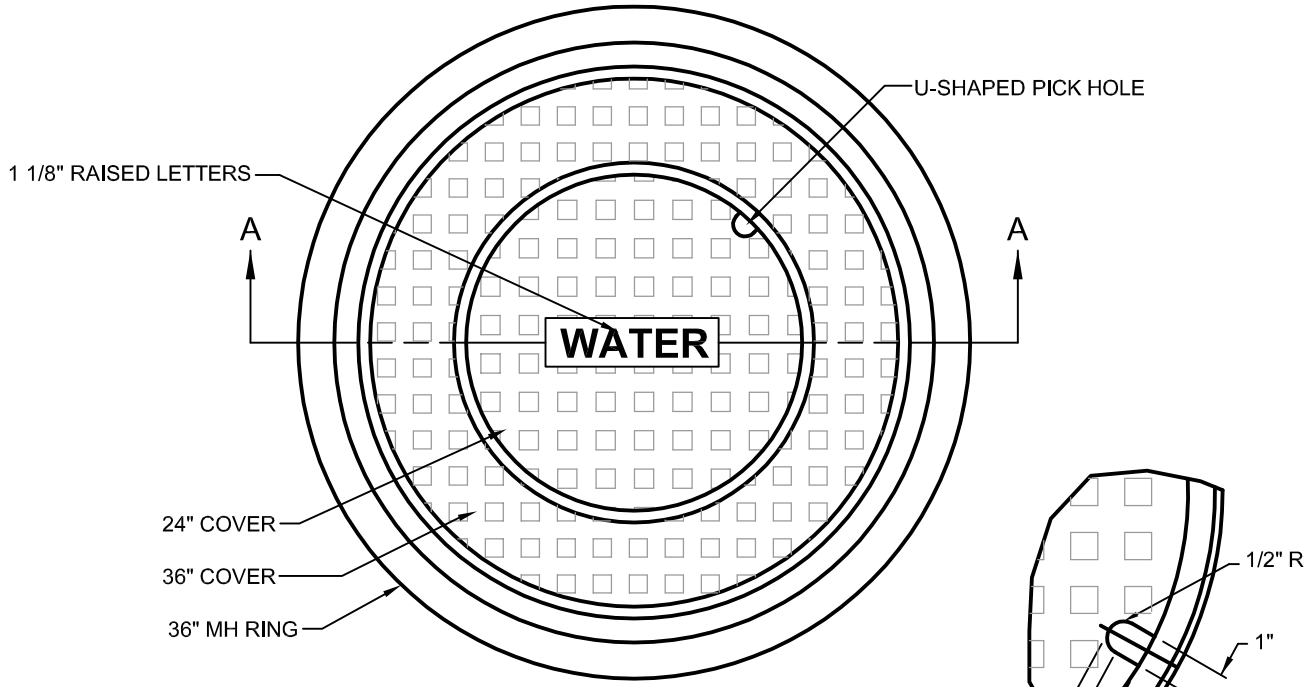
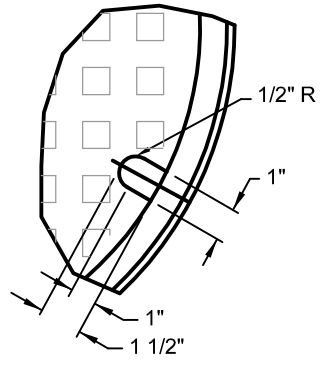


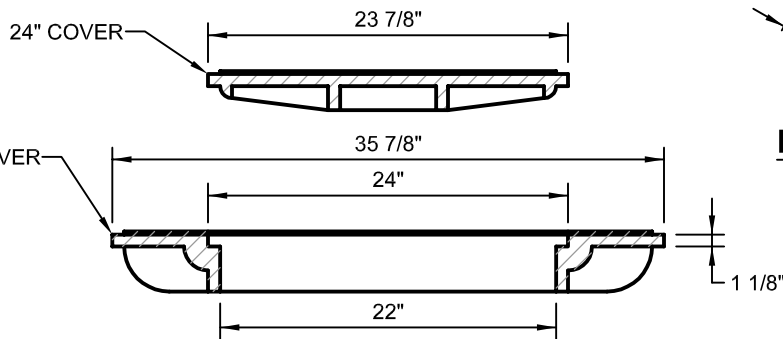
COPYRIGHT © 2016 SOUTHGATE WATER & SANITATION DISTRICTS



**PLAN**



**PICK HOLE**



**SECTION A-A**

**NOTES:**

1. CASTING SPECIFICATIONS: ASTM A-48 WITH A MINIMUM TENSILE STRENGTH OF 35 KSI (CLASS 35B).
2. ALL CASTINGS TO BE DIPPED IN ASPHALT BASED PAINT (OR APPROVED EQUAL).
3. CASTINGS SHALL BE AS SPECIFIED BELOW OR EQUAL:  
 MANUFACTURERS \_\_\_\_\_ CAT. NO. \_\_\_\_\_  
 CASTINGS, INC. MH7003624CI (SHOWN)

<b>REVISED</b>		 <b>Southgate</b> WATER & SANITATION DISTRICTS	SCALE
BY	DATE		NOT TO SCALE
			ISSUE DATE
			FEBRUARY 2016
			SHEET
			DRAWING NO.
			<b>1 OF 1</b>
			<b>W-14</b>

**36" x 24" DOUBLE RING AND COVER**